

Part number

CHI 16 L



Bulkhead mounting housing, C-TYPE series,
with 1 lever, size "77.27"



Product description

Product type	Bulkhead mounting housing
Series	C-TYPE
Closing type	With 1 lever
Size	Size "77.27"

Technical data

IP degree of protection	IP65 / IP66 / IP69
--------------------------------	--------------------

Further technical details

Weight	124,50 g
Operating temperature range (min, max)	-40°C...+125°C

Material properties

Colour	RAL 7040 grey
RoHs conformity	Compliant
China RoHs - EFUP	E
REACH SVHC substances	No

Approvals / Standards

Certifications	DNV, BV
UL	ECBT2
cUL	ECBT8

General ordering information

EAN13 code	8015747017923
eCl@ss 8.1	27440202
ETIM 7.0	EC000437

Packaging Information

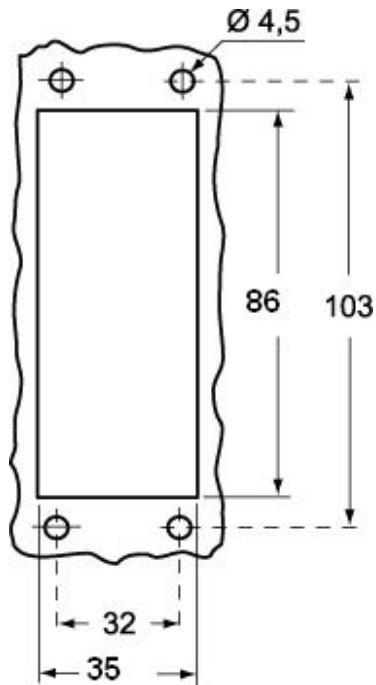
Packaging length	375,00 mm
Packaging height	230,00 mm
Packaging width	205,00 mm
Packaging weight	2,96 kg
Packaging volume	17,68 dm ³
Packaging description	Carton box
Packaging quantity	20 Pcs
Packaging EAN code	8015747017930
Sub-packaging weight	0,74 kg
Sub-packaging description	Plastic packaging
Sub-packaging quantity	5 Pcs
Sub-packaging EAN barcode	8015747017947

Part number

CHI 16 L

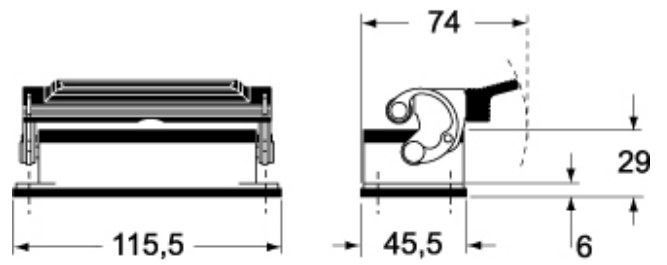


Catalogue drawings

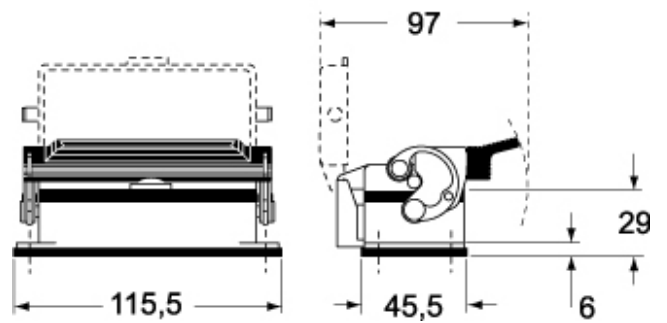


Catalogue drawings

CHI L



CHI LS



Notes

Dimensions shown in mm are not binding and may be changed without notice.