

Part number

CDAF 16



Female insert, CDA series, screw terminal connection, 16 poles + PE, 16 A 250 V 4 kV 3, size "66.16", with plate

Product description		Material properties	
Product type	Insert	Main material	Polycarbonate (PC)
Series	CDA	Other materials	Contacts: copper alloy
Connection type	Screw terminal connection	Colour	RAL 7032 grey
Gender	Female		Compliant with exemption
N. of poles	16 poles +	RoHs conformity	6(c): copper alloy containing up to 4% lead by weight
Size	Size "66.16"	China RoHs - EFUP	50
Specification	With plate	REACH SVHC substances	Yes Lead
Technical data		SCIP number	1a9c93ff-0445-4a16-81e3-1609ac5274d6
Current	16 A	Approvals / Standards	
Voltage	250 V	Reference standard	EN 61984:2009-06
Rated impulse withstand voltage	4 kV	Certifications	CSA, CQC, DNV, BV, EAC
Pollution degree	3	UL	ECBT2
Rated voltage according to UL/CSA	600 V	cUL	ECBT8
Wire cross-section	0,75 mm ² - 4,00 mm ²	General ordering information	
AWG size	18 - 12	EAN13 code	8015747013055
Contact type	Turned silver plated	eCl@ss 8.1	27440205
IP degree of protection	IP20 without enclosure, IP65/IP66 with enclosure	ETIM 7.0	EC000438
Further technical details		Packaging Information	
Characteristics according to EN 61984	16A 250V 4kV 3; 16A 230/400V 4kV 2	Packaging length	140,00 mm
Mating cycles	≥ 500	Packaging height	120,00 mm
Insulation resistance	≥ 10 GΩ	Packaging width	260,00 mm
Contact resistance	≤ 1 mΩ	Packaging weight	2,08 kg
Weight	62,00 g	Packaging volume	4,37 dm ³
Operating temperature range (min, max)	-40 °C ... +125 °C	Packaging description	Carton box
UL 94 flammability rating	V-0	Packaging quantity	30 Pcs
Torque for main contact	M3: 0,5 Nm; 4,4 lb.in (Ph0 or 0,6 x 3,5 mm)	Packaging EAN code	8015747013062
Tightening torque for PE connection	M3,5: 0,8 Nm; 7,1 lb.in (Ph1 or 0,8 x 5,5 mm)	Sub-packaging weight	0,35 kg
		Sub-packaging description	Carton tray
		Sub-packaging quantity	5 Pcs
		Sub-packaging EAN barcode	8015747013079

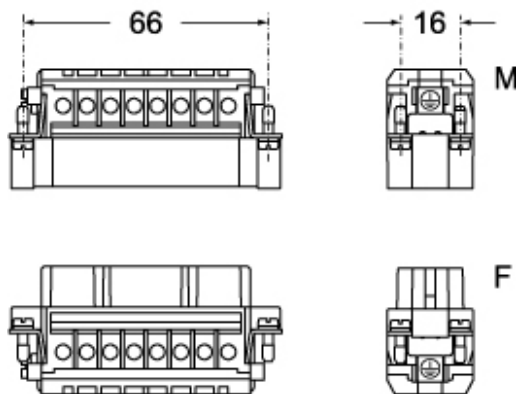
Part number

CDAF 16

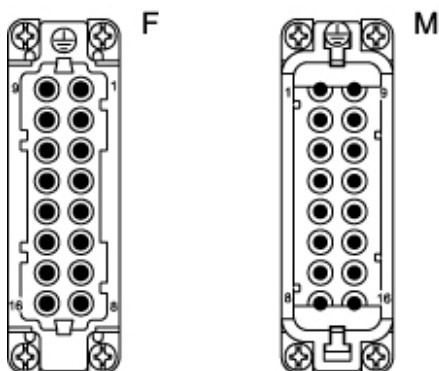


Catalogue drawings

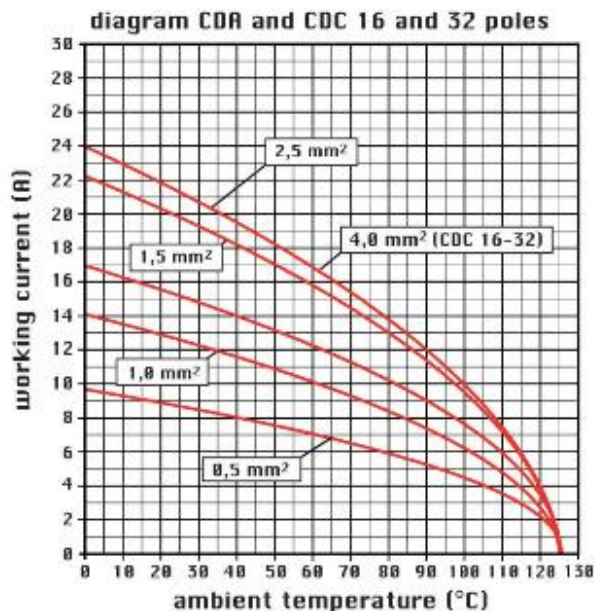
CDAM 16



CDAF 16



Catalogue drawings



Notes

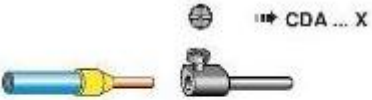
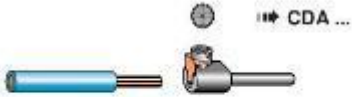
Dimensions shown in mm are not binding and may be changed without notice.

California Proposition 65 Information



WARNING

This product can expose you to lead and its compounds, known to the State of California to cause cancer and/or reproductive toxicity. For more information go to www.P65Warnings.ca.gov.



CDA ... X : for conductors with bush terminal

California Proposition 65 Information



WARNING

This product can expose you to lead and its compounds, known to the State of California to cause cancer and/or reproductive toxicity. For more information go to www.P65Warnings.ca.gov.
