

# ARCA 203015



Sample image

**Order symbol :** ARCA 203015

**Product nr :** 8120020

UL Code : UL508A

**Description :** Cabinet, PC

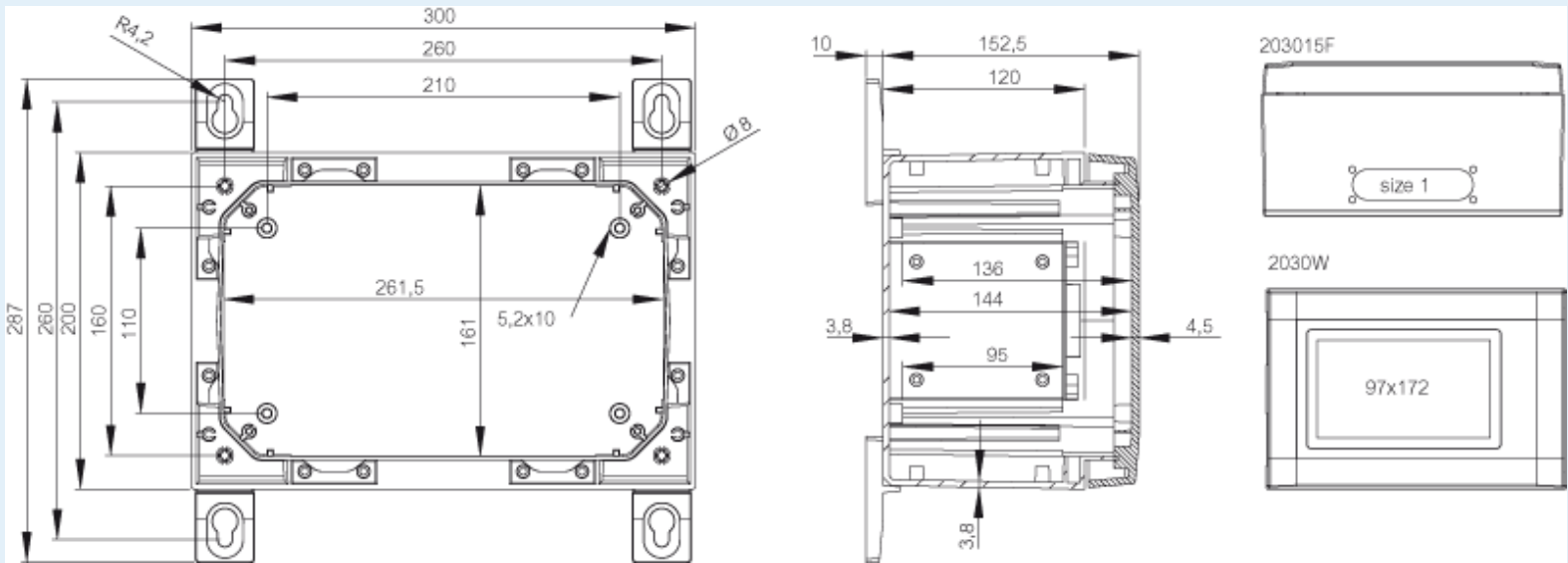
**Remarks :** Grey cover, 1-point locking, hinges on the short side

**EAN :** 6418074079312

**El. number :**

- Finland : 3423117
- Denmark : 8212091184
- Sweden : 2500109

**Including :** Cabinet base. door with PUR gasket. mounting plate. screws for mounting plate. 3mm double bit lock(s) with key. S versions with swinghandle 2-point locking system. Door guide included.



Dimensions :	Height	Width	Depth
mm :	200	300	150
inch :	7.87	11.81	5.91

**Materials :**

Material :	Polycarbonate
Base colour :	RAL_7035
Cover colour :	RAL 7035 -light grey

**Accessories :**

MPMP ARCA 3020	Mounting plate multiperforated (250x150x2 mm - $\varnothing$ 3.6 mm)
IDS ARCA 2030	Inner door set
MPP ARCA 2030	Mounting plate perforated (250x150x2 mm - 26x11 mm)
MPS ARCA 3020	Mounting plate (250x150x2 mm) (250 x 150 x 2)
DRS ARCA 203015	DIN rail frame set (285 x 185 x 35)

Gasket material : Polyurethane

**Temperatures :**

Temperature °C (continuous) : -40 ... 80

Temperature °F (continuous) : -40 ... 175

RCS ARCA  
2030

Rain canopy set for size 2030

PMK ARCA 30

PoleMounting kit, for pole ø100-300mm  
(385 x 285 x 35)

MPX ARCA  
3020

Mounting plate (250x150 mm)  
(250 x 150 x 20)

**Ratings :**

Ingress protection (EN 60529): IP66;

Impact Resistance (EN 62262): IK10;

electrical\_insulation : Totally insulated

Halogen free (DIN/VDE 0472, Part  
815) : Yes

UV resistance : UL 508

Flammability Rating : UL 94 5VA

Glow Wire Test (IEC 695-2-1) °C : 960C

NEMA Class NEMA\_\_1\_4\_4X\_12\_13

**Certificates :**

Certificate FI 40467